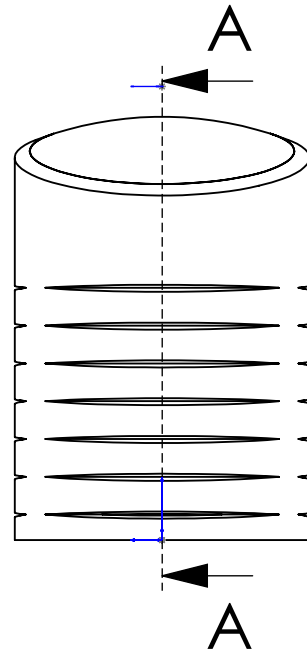
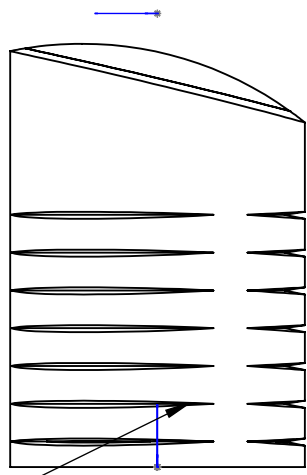
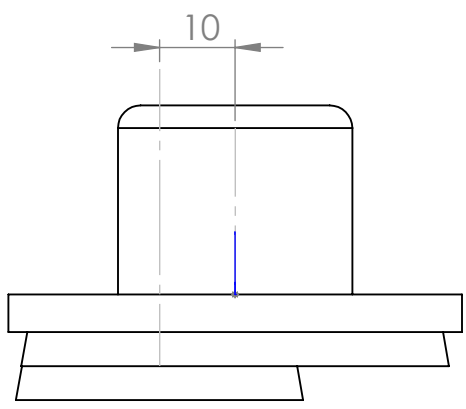
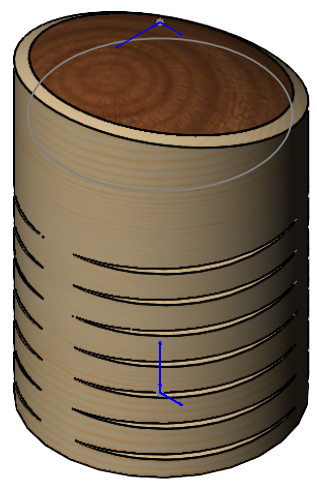


2

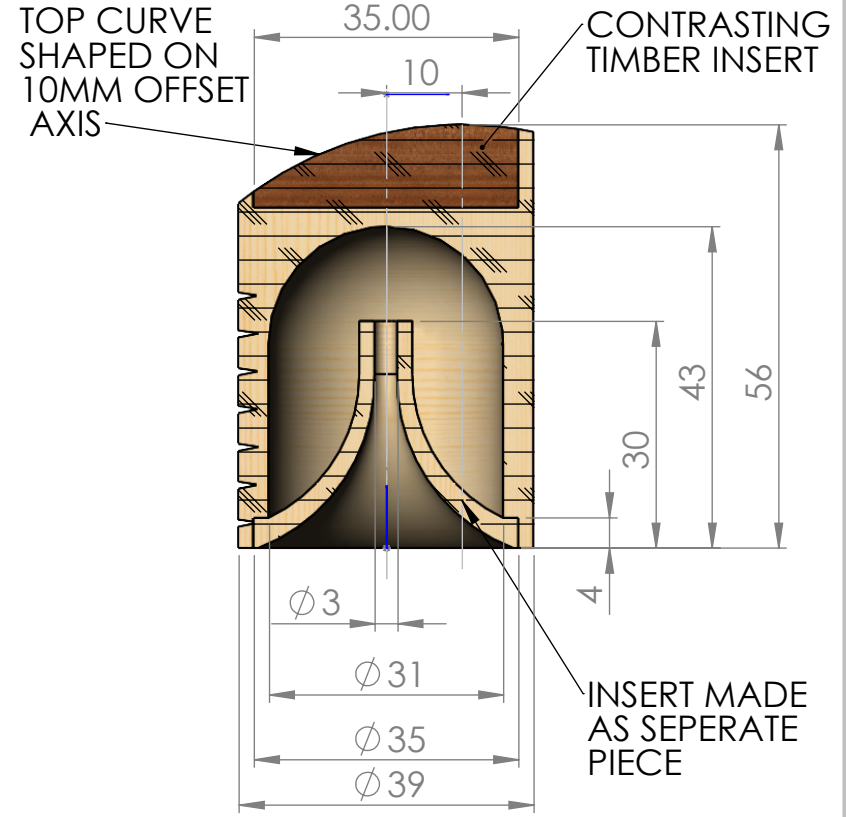


REGULAR OR IREGULAR PATERN OF PARTIAL GROOVES TURNED ON MULTIPLE 10MM OFFSET AXIS



HINT: MAKE A JAM CHUCK WITH A LARGE TENON, AND A SMALLER OFFSET TENON ON THE BACK TO SUIT WHATEVER CHUCK JAWS YOU HAVE.

1



SECTION A-A

TRENT VALLEY WOODTURNERS
MARCH 2024 COMPETITION

OFFSET SALT SHAKER

B

B

A

A

2

1