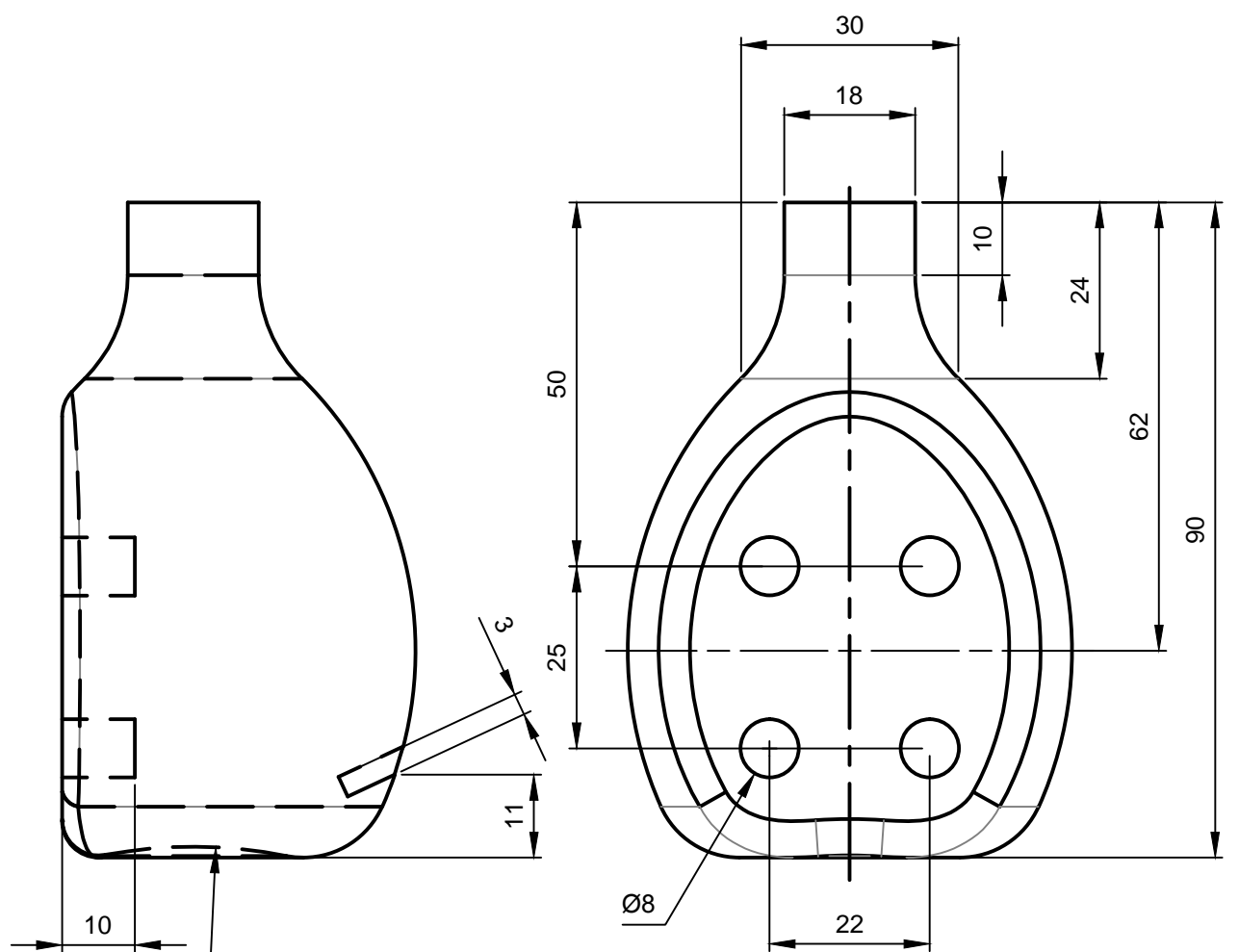
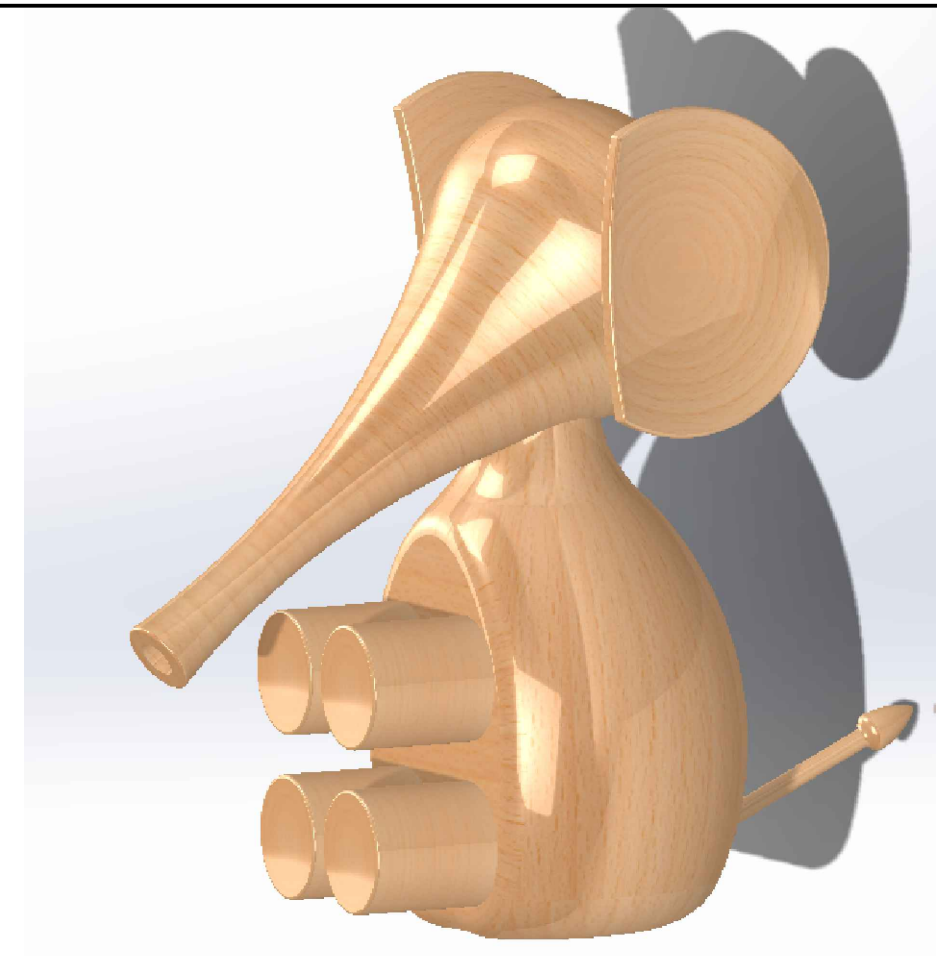


Trent Valley Woodturners Chairman's Challenge 2017 Wooden Elephant

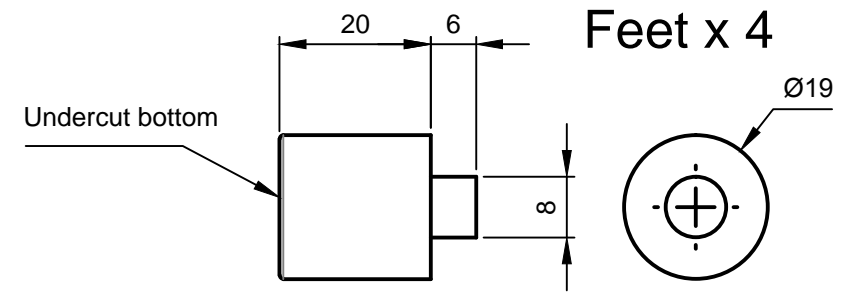
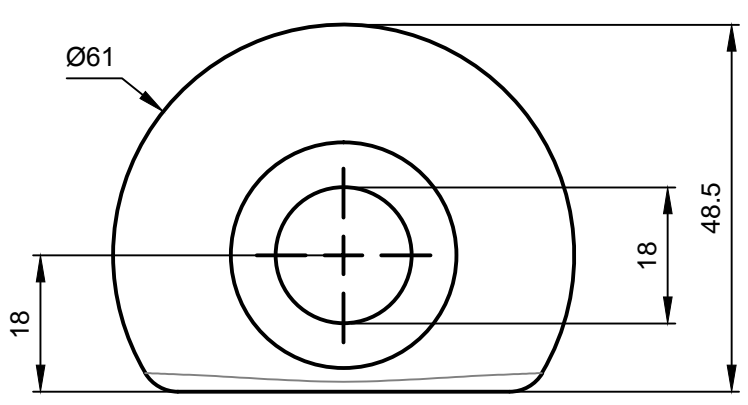
1. use 1 wood or different.
2. colour or embellish if you wish.
3. alter the design to make it more elephant like.
4. add facial features etc.

Scale 1:1

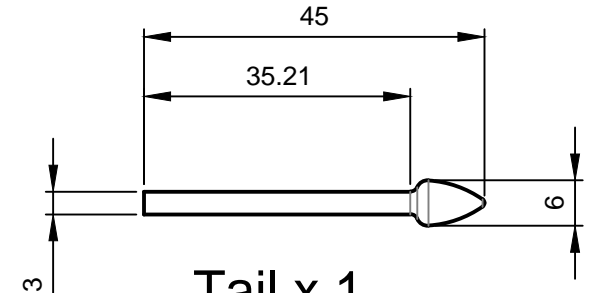


Undercut Base

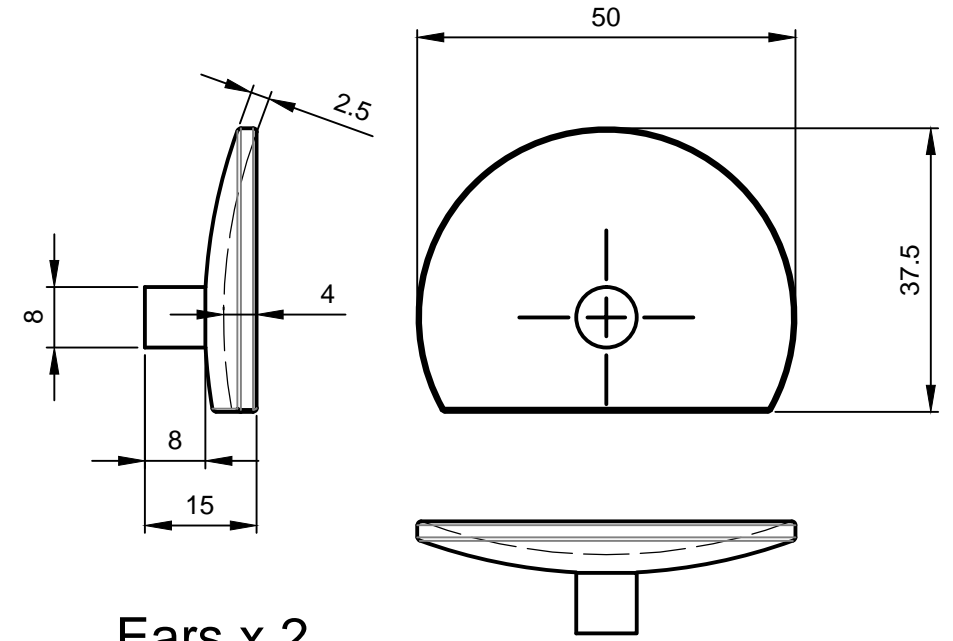
Body x 1



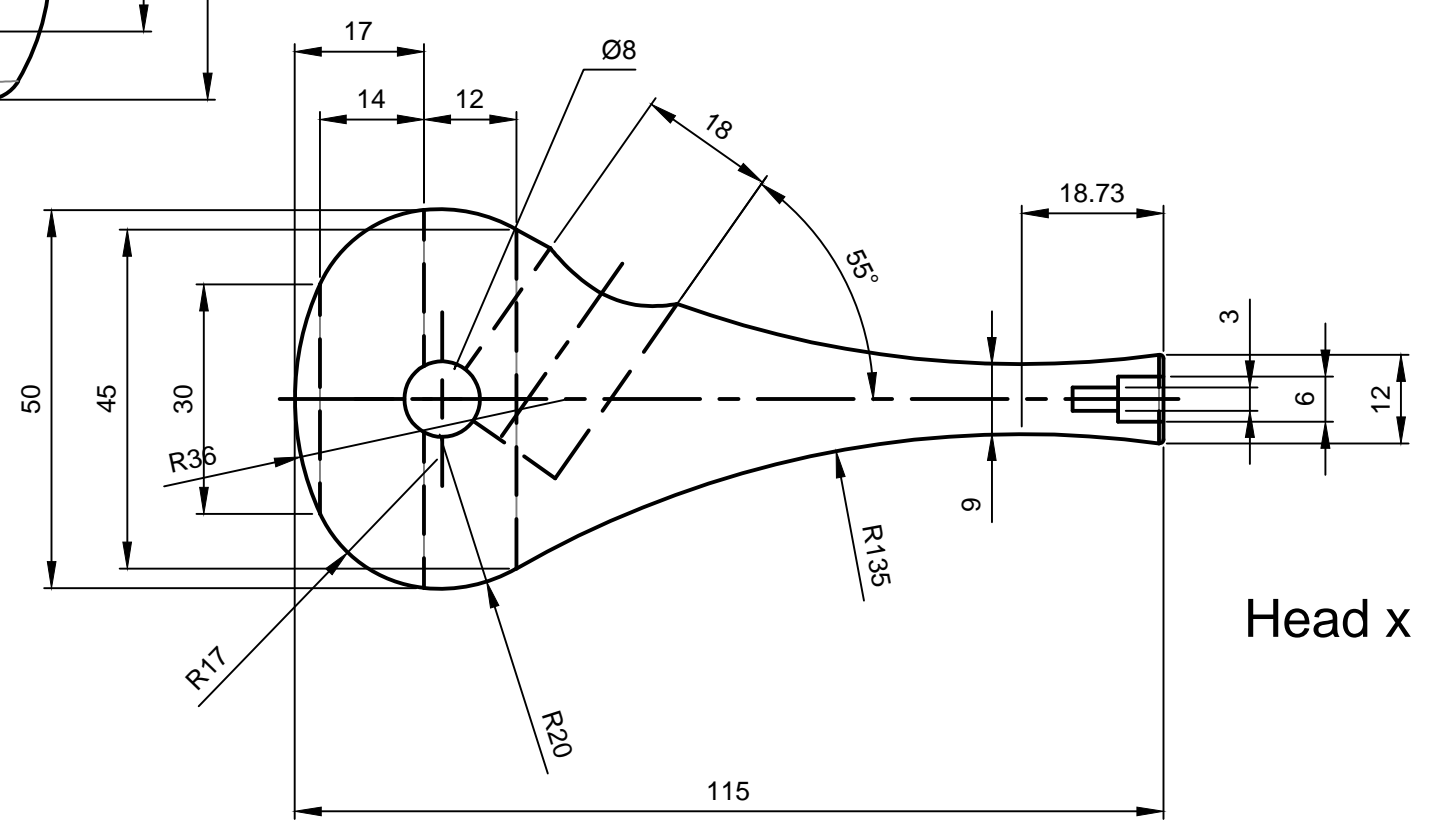
Feet x 4



Tail x 1



Ears x 2



Head x 1

